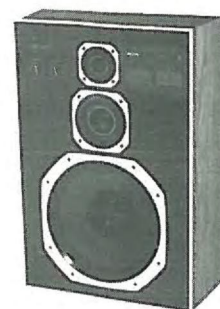


Service
Service
Service

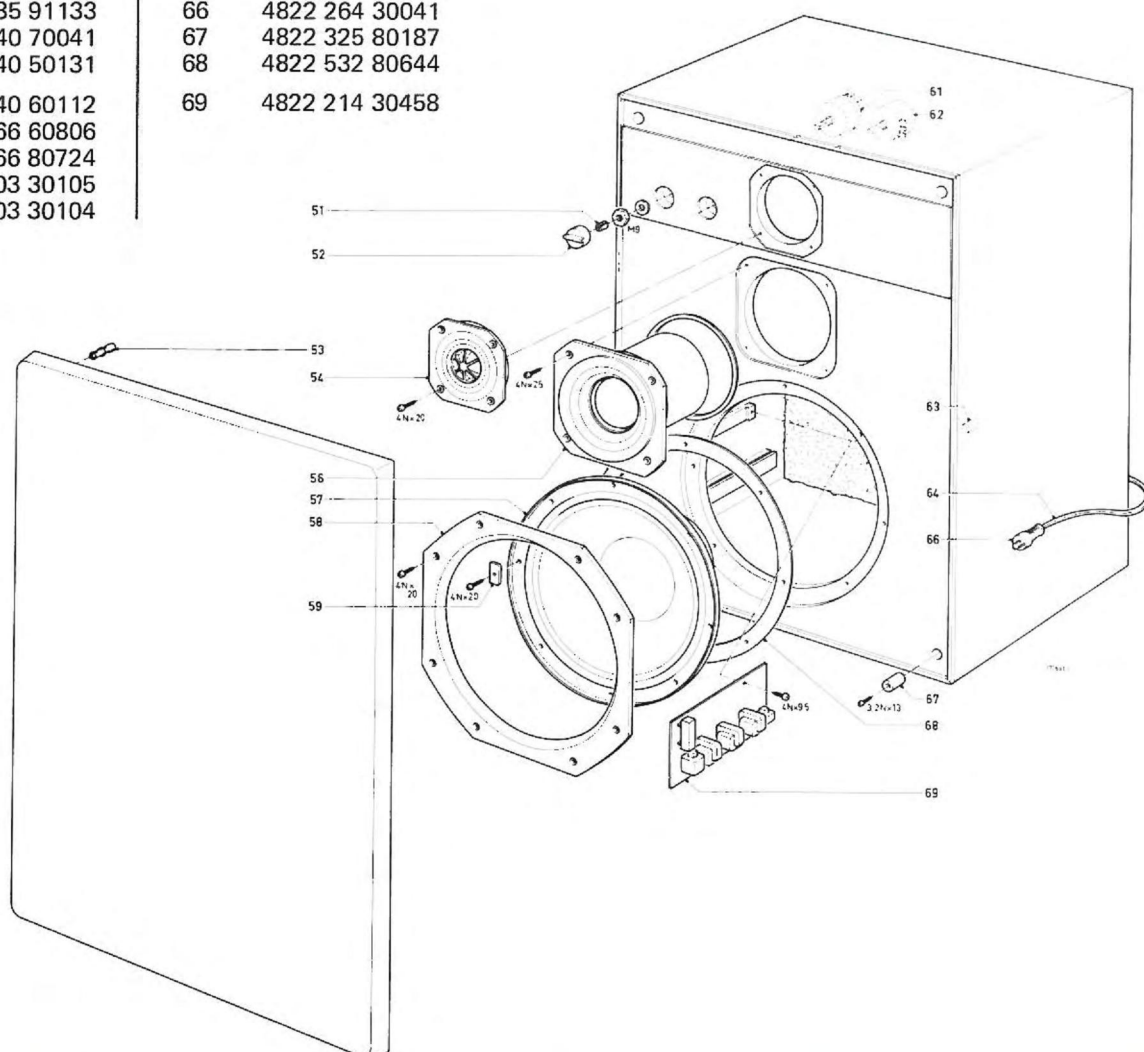
Volume : 41 L
 Dimensions : 584x390x270 mm
 Weight : 14 kg
 Rated impedance : 8 Ω
 Power handling capacity : 80 W
 Cross-over frequencies : 600 - 7000 Hz
 Resonance frequency : 54 Hz
 Frequency range : 35 - 20.000 Hz

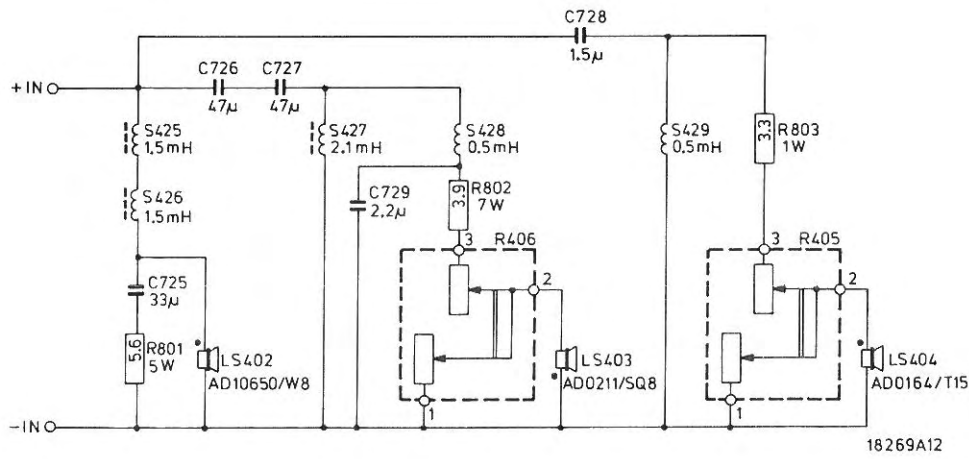


18385A2

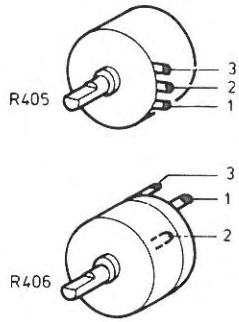
Service Manual

51	4822 492 60268	63	4822 325 60204
52	4822 413 40848	64	4822 322 20014
53	4822 535 91133	66	4822 264 30041
54	4822 240 70041	67	4822 325 80187
56	4822 240 50131	68	4822 532 80644
57	4822 240 60112	69	4822 214 30458
58	4822 466 60806		
59	4822 466 80724		
61	4822 103 30105		
62	4822 103 30104		

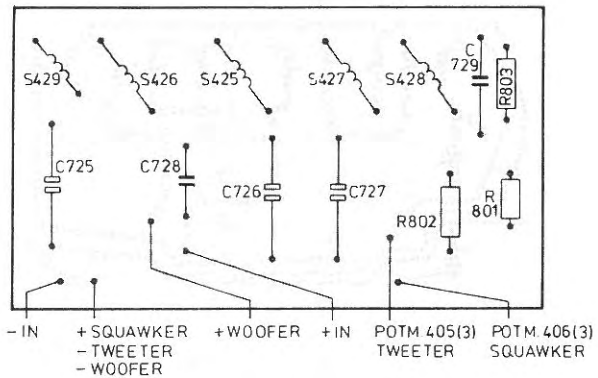




18269A12

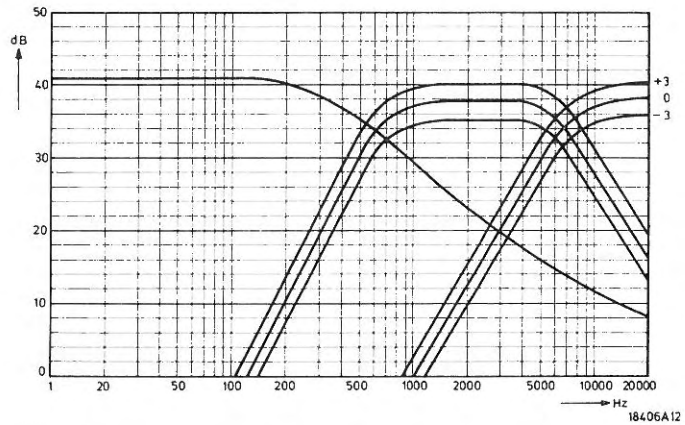


18450A12



18354A12

C725	4822 124 20754
C726,727	4822 124 20755
C728	4822 121 40452
C729	4822 121 40456
R801	4822 112 21047
R802	4822 113 80182
R803	4822 110 23041
S425,426	4822 157 51017
S427	4822 152 20486
S428	4822 157 50775
S429	4822 156 10427
LS402	4822 240 60112 AD10650/W8
LS403	4822 240 50131 AD02111/SQ8
LS404	4822 240 70041 AD0164/T15



18406A12

As from PL01032... resistor 802, 3E9 Ω - 7 W, codenumber 4822 113 80182, has been changed to 2E2 Ω - 7 W, codenumber 4822 113 80266.

Resistor 803, 3E3 Ω , codenumber 4822 110 23041 has been changed to 1E5 Ω , codenumber 4822 110 43032.

Clamping grommet 4822 325 80187 has been replaced by grommet 4822 325 80192.

Note:

If replacement of clamping grommet is required, always mount a grommet identical to the remaining three or replace all four grommets by new ones !